



MALTA

The »All-round« sales star.



**EXPERIENCE INCREASED VISIBILITY
FROM ALL SIDES. MAKE AN EVEN
GREATER IMPACT ON SHOPPERS WITH
THIS NEW HIGHLIGHT FOR YOUR STORE.**

THE »ALL-ROUND« SALES STAR.

This unique and highly innovative 'Sales Driver' is accessible from all sides and delivers easy viewing. The sturdy design and total functionality make it the perfect all-round unit for you to optimally present your products.

Your benefits

- | Ready to plug in
- | Guaranteeing the quality of the frozen goods thanks to constant internal temperature and high power reserves
- | Intelligent fan motor for more energy efficiency – saves approximately 0,5 kWh daily
- | Brilliant LED lighting system
- | Higher energy-saving
- | Improved display area with optimum useful load
- | Easy access from both sides
- | Low investment and operating costs
- | Maintenance-free
- | Environmentally friendly with natural refrigerant propane
- | 100 % CFC- and PFC-free



Temperature ranges

- | | |
|------------------------------------|------------------|
| Chilling | +3 °C to +15 °C* |
| Freezing | -18 °C to -23 °C |
| Meat and minced meat refrigeration | 0 °C to +2 °C |

* Preset is fixed at 4 °C – possibility to change to an other temperature by a service technician

Accessories*

- | **Dividers and base units** to maximize your sales
- | **Standing baskets** improve product presentation possibilities
- | **Impact protection bumpers** available in different colors
- | **Kick plates** will prevent water and dust from falling below the cabinets

* Feel free to ask us for our accessories folder.



Options

- | Energy saving fan motor
- | LED light

The perfect solution – built in semi-automatic defrost! (AD)



Regular defrosting ...

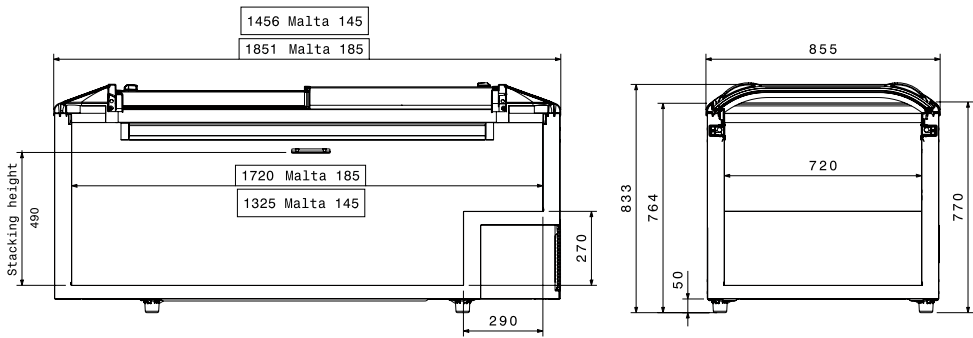


... with goods kept
at a constant temperature

MALTA	REFRIGERANT R290				REFRIGERANT R404A				
	145	185	145	185	145	185	145	185	
Technical Data	(-) AD VS IQ LED	(U) AD VS IQ LED	(-) AD VS IQ LED	(U) AD VS IQ LED	(-) AD IQ LED	(U) AD IQ LED	(-) AD IQ LED	(U) AD IQ LED	
Gross content	liter	555	555	754	754	555	555	754	754
Net content according to EN 23953**	liter	371	348/241/331	500	483/336/461	371	348//241/ 331	500	483/336/461
Total display area (TDA)	m ²	0,73	0,73	0,99	0,99	0,73	0,73	0,99	0,99
Classification according to EN 23953**		3L1	3S/3S/3L1	3L1	3S/3S/3L1	3L1	3S/3S/3L1	3L1	3S/3S/3L1
Ambient temperature range**	°C	+16 to +25	+16 to +25	+16 to +25	+16 to +25	+16 to +25	+16 to +25	+16 to +25	+16 to +25
Inner temperature range	°C	-18 to -23	+3 to +15/0 to +2/-18 to -23	-18 to -23	+3 to +15/0 to +2/-18 to -23	-18 to -23	+3 to +15/0 to +2/-18 to -23	-18 to -23	+3 to +15/0 to +2/-18 to -23
Sound pressure in 1 m distance	dB(A)	43,6	43,6	43,6	43,6	43,8	43,8	43,8	43,8
Electrical Data									
Nominal voltage/frequency	V/Hz	220-240/50	220-240/50	220-240/50	220-240/50	220-240/50	220-240/50	220-240/50	220-240/50
Nominal power cabinet	W	440	440	450	450	450	450	480	480
Nominal power illumination	W	24	24	33	33	24	24	33	33
Nominal current	A	2,8	2,8	2,8	2,8	3,7	3,7	4,4	4,4
Fuse protection	A	16	16	16	16	16	16	16	16
Energy consumption (at 25 °C)	kWh/24h	5,6	1,2/2,4/5,6	6,1	1,4/2,7/6,1	8,0	2,3/4,5/8,0	8,7	2,4/4,8/8,7
Length of power supply cord	mm	1750	1750	1750	1750	1750	1750	1750	1750
Refrigeration Data									
Refrigerant type		R290	R290	R290	R290	R404A	R404A	R404A	R404A
Refrigerant charge	g	80	80	90	90	170	170	230	230
Max. operating pressure	bar	30	30	30	30	30	30	30	30
Dimensions									
Length outside/inside	mm	1456/1325	1456/1325	1851/1720	1851/1720	1456/1325	1456/1325	1851/1720	1851/1720
Depth outside/inside	mm	855/720	855/720	855/720	855/720	855/720	855/720	855/720	855/720
Front access height/height outside	mm	770/833	770/833	770/833	770/833	770/833	770/833	770/833	770/833
Stacking height**	mm	490	510/360/490	490	510/360/490	490	510/360/490	490	510/360/490
Dimensions									
Net weight (excl. packaging, incl. process-related internal accessories)	kg	103	117	122	131	103	117	122	131
Gross weight (incl. packaging and process-related internal accessories)	kg	110	125	132	141	110	125	132	141

* Universal cabinet: The cabinet covers all three temperature ranges of refrigeration +3 °C to +15 °C/meat and minced meat refrigeration 0 °C to +2 °C/freezing -18 °C to -23 °C.
 ** Cabinets can work up to 30 °C ambient temperature at lower load line. Values are stated in brackets for 30 °C.

MALTA 145 – 185 (-)



For version AD/U the inner dimensions are reduced due to the necessary use of wire grids along the inside walls.



AHT Cooling Systems GmbH
 8786 Rottenmann · Austria
 Phone +43/(0)3614/2451-0
 Fax +43/(0)3614/2451-8
 Email office@aht.at

OHSAS 18001 SA 8000	ISO 9001 ISO 14001
------------------------	-----------------------