



MACAO

The all-round visibility booster.



**MINIMAL SPACE REQUIREMENTS.
MAXIMUM SALES PROMOTION.**

UNITING LATEST TECHNOLOGY AND BRILLIANT DESIGN.

Key benefits

- | Extremely low energy consumption due to RPM-regulated compressor technology and electronic energy-saving fan
- | Ecologically sound refrigerant R290 (propane)
- | Convincingly efficient: the island chest freezer and chiller MACAO impresses with smart, up-to-date technical features, maximum energy efficiency and a new dimension of sales potency
- | Sales-boosting product visibility thanks to glass panels on all four sides
- | Improved ease of use thanks to semiautomatic defrosting and easy-to-clean plastic bin
- | Attractive LED interior lighting
- | Robust, smooth-running, single-piece and fully extrusion-coated glass sliding lids (lockable)



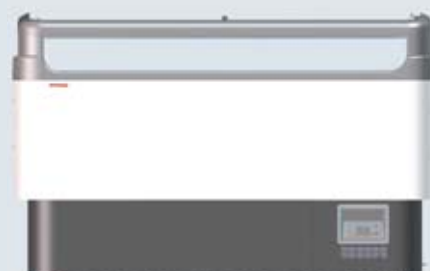
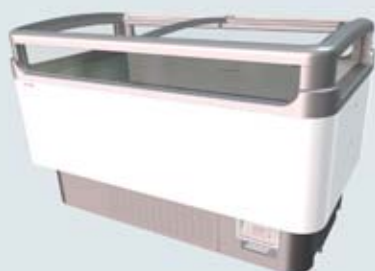
Temperature ranges

- | | |
|------------------------------------|------------------|
| Chilling | +3 °C to +15 °C* |
| Freezing | -18 °C to -23 °C |
| Meat and minced meat refrigeration | 0 °C to +2 °C |

Accessories

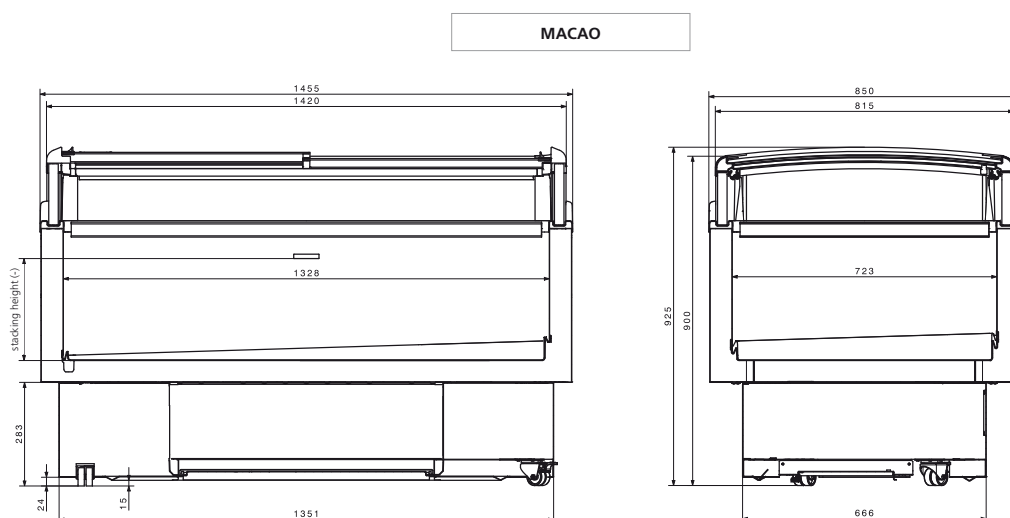
- | Baskets and grid systems
- | EPOS strips
- | POS frame

* Preset is fixed at 4 °C – possibility to change to an other temperature by a service technician



| MACAO | | | |
|---|-------------------|---------------|-------------------------------|
| Technical Data | | (-) AD IQ LED | (U) AD* IQ LED |
| Gross content | [l] | 500 | 500 |
| Net content | [l] | 241 | 234/217/153 |
| Total display area (TDA) | [m ²] | 0,76 | 0,76 |
| Classification acc. to EN 23953 | | 3L1 | 3S/3L1/3S |
| Ambient temperature range | [°C] | +16 to +25 | +16 to +25 |
| Inner temperature range** | [°C] | -18 to -23 | +3 to +15/-18 to -23/ 0 to +2 |
| Sound pressure in 1 m distance | [dB(A)] | 43,6 | 43,6 |
| Electrical Data | | | |
| Nominal voltage/frequency | [V/Hz] | 220-240/50 | 220-240/50 |
| Nominal power consumption cabinet | [W] | 400 | 400 |
| Nominal power illumination | [W] | 32 | 32 |
| Nominal current | [A] | 3,7 | 3,7 |
| Fuse protection | [A] | 16 | 16 |
| Energy consumption (at 25°C) | [kWh/24h] | 5,1 | 1,4/5,1/2,5 |
| Length of power supply cord | [mm] | 1750 | 1750 |
| Refrigeration Data | | | |
| Refrigerant type | | R290 | R290 |
| Refrigerant charge | [g] | 100 | 100 |
| Max. operating pressure | [bar] | 30 | 30 |
| Dimensions | | | |
| Length outside/inside | [mm] | 1456/1328 | 1456/1328 |
| Depth outside/inside | [mm] | 851/723 | 851/723 |
| Front access height/height outside | [mm] | 900/925 | 900/925 |
| Height inside front/rear | [mm] | 523 | 523 |
| Stacking height (is basket height for meat cooling) | [mm] | 280 | 300/280/187 |
| Weight | | | |
| Net Weight (excl. packaging, incl. internal accessories necessary for meat cooling) | [kg] | 122 | 131 |
| Gross Weight (incl. packaging, incl. internal accessories necessary for meat cooling) | [kg] | 130 | 139 |

*Switchable cabinet: Temperature setting from -23°C to +15°C possible, inner temperature range has to be chosen according to product requirements
 **Preset is fixed at 4 °C – possibility to change to another temperature by a service technician.



AHT Cooling Systems GmbH
 8786 Rottenmann · Austria
 Phone +43/(0)3614/2451-0
 Fax +43/(0)3614/2451-8
 Email office@aht.at

| | |
|------------------------|-----------------------|
| OHSAS 18001 SA 8000 | ISO 9001 ISO 14001 |
|------------------------|-----------------------|